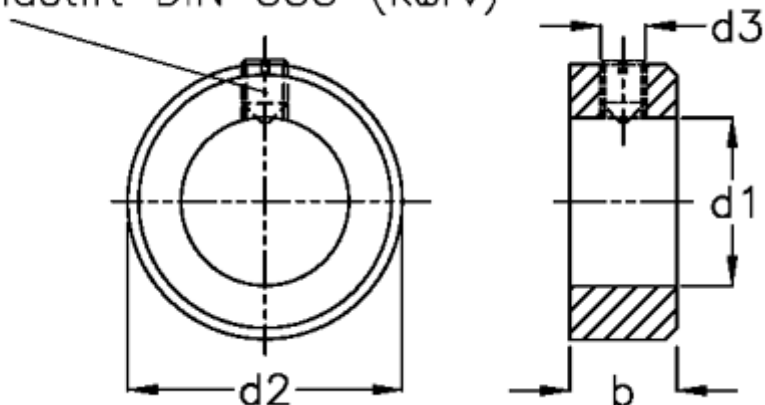


Article number: 2070530ANI

Description: E+G Set collar
GN 705-30-A-NI stainless steel

Measures

Gevindstift DIN 553 (kørv)



$b = 16$

$d1 = 30$

$d2 = 45$

$d3 = M8 \times 10$